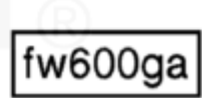
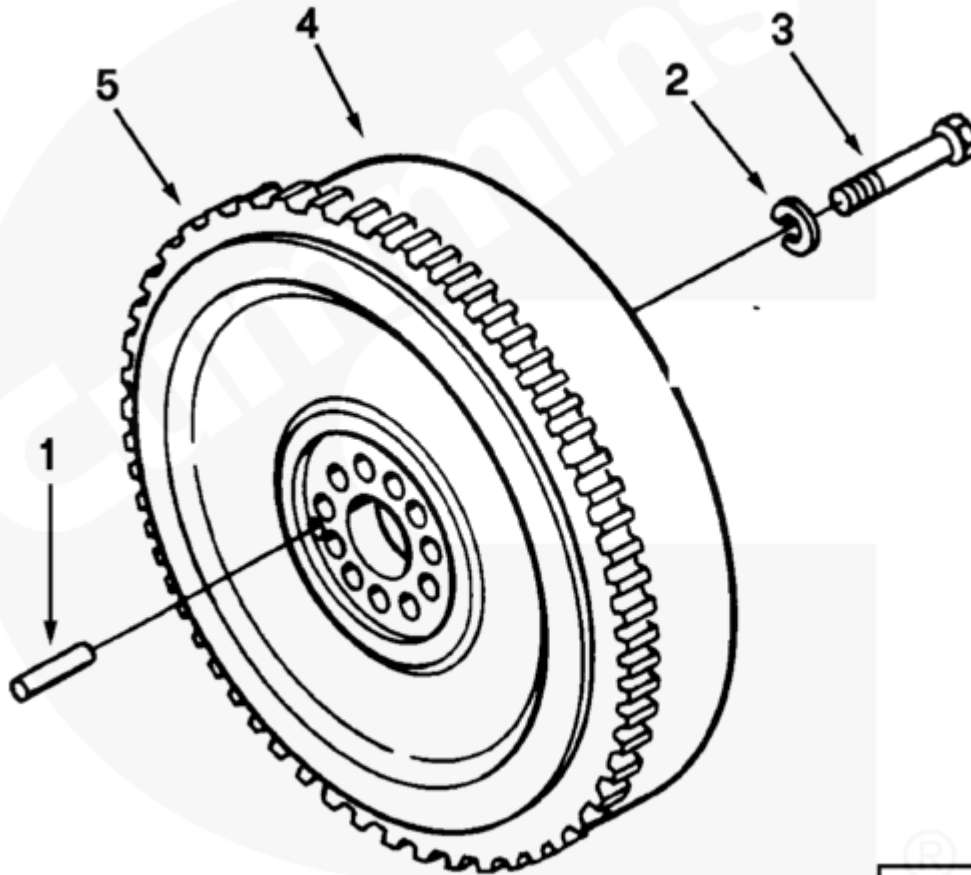




Parts Catalog - Option Detail

Electronic Parts Catalog - Option Detail				
Option	Group	Graphic	Film Card	Date
FW6003-01	16.02	fw600ga	K38	28-JAN-86
Engines	GTA38, K38, KTA38GC CM558, QSK38 CM2150 K106, QSK38 CM2150 MCRS, QSK38 CM850 MCRS			

©Cummins Inc



[SMALL](#) | [MEDIUM](#) | [LARGE](#)

Cart	Ref No	Part Number	Part Description	Required	Remarks
View My Cart					
		FW6003-01	Flywheel		Flywheel to fit Lord rubber...(More)
					coupling for 1 1/2 order
					torsional control for use
					with remote mounted Allison

					DP8961 transmission and Twin-
					Disc models MG527 and MG540
					marine gears, and Capitol
					model HPI marine gears.
					Special application for
					Euclid and Wabco.
<input type="checkbox"/>	1	131584	Roll Pin	1	
<input type="checkbox"/>	2	205059	Plain Washer	12	3/4 Inch.
<input type="checkbox"/>	3	3023536	Fracture Resistant Screw	12	3/4 - 16 X 3 3/4 Inch.
<input type="checkbox"/>	4	3009578	Flywheel	1	
<input type="checkbox"/>	5	124507	Flywheel Ring Gear	1	

© 2019 Cummins Inc., Box 3005, Columbus, IN 47202-3005 U.S.A.
Terms of Use and Disclaimers | Recommended System Requirements
Need Assistance? Please click on the Contact Us button in the top right corner of any page.